

SJ- SDC-H

Single-jet Hot water meter with dry dial

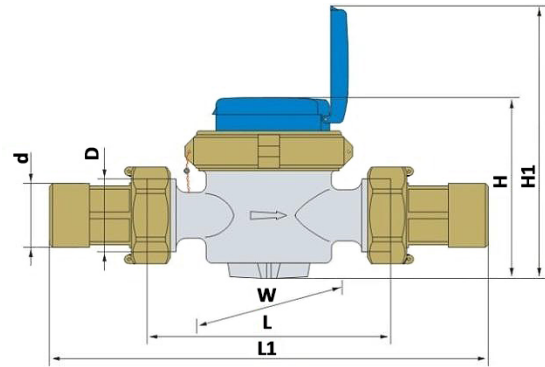
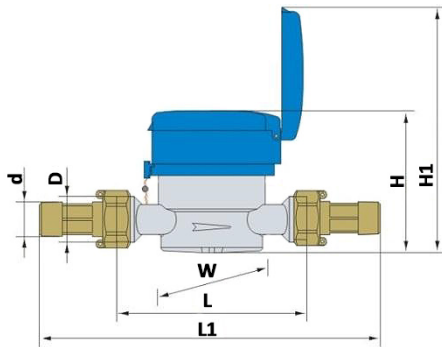


The **VuAqua SJ-SDC-H** is a single-jet mechanical water meter with dry type dial counter suitable for a variety of metering applications including domestic metering and small bore water volume measurement tasks available in sizes DN15 (1/2") to DN40 (1½").

Key Features

- Single-jet impellar meter type
- Compact design for most metering applications
- Approved: MID / OIML
- Dry dial (frost resistant) rotates 360°
- Meter body material is brass
- Shielded from Magnetic interference
- BSP fittings supplied (nuts, tails & washers)
- Maximum working pressure of 16 bar
- Maximum approved temperature of 90°C (T90)
- Pulse Output option: Vmax=24AC/DC, Imax=0.01A
- Tamper evident wire lock & seal

Dimensions



Size	DN15	DN15	DN15	DN15	DN15	DN20	DN25	DN32	DN40
L	80	115	120	190	110	130	160	160	200
L1*	174	209	214	284	204	234	280	284	331
D	G3/4B	G1B	G3/4B	G1 B	G3/4B	G1B	G1-1/4B	G1-1/2B	G2B
d	R1/2	R3/4	R1/2	R3/4	R1/2	R3/4	R1	R1-1/4	R1-1/2
H	84.5	84.5	84.5	84.5	84.5	84.5	106	106	123
H1	145.5	145.5	145.5	145.5	145.5	145.5	167	167	184
W	81.5	81.5	81.5	81.5	81.5	81.5	84	84	110

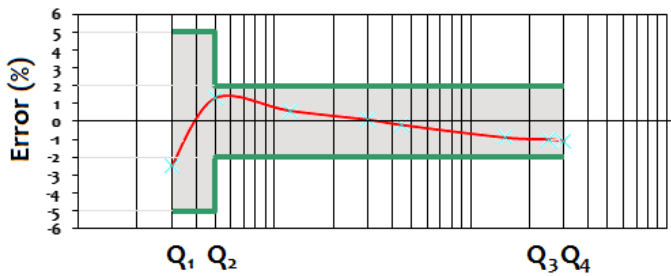
*L1= the total length with connection and the gasket without compression.

Technical Data

Size	DN	DN15	DN20	DN25	DN32	DN40
R	Q3/Q1	R80 for Horizontal Installation				
Q4	m ³ /h	3.125	5	7.875	12.5	20
Q3	m ³ /h	2.5	4	6.3	10	16
Q2	l/h	50	80	126	200	320
Q1	l/h	31.25	50	70.75	125	200
Max. Reading	m ³	99999.9999				
Min. Reading	Litre	0.02				
Pressure Loss	ΔP	ΔP <63 at Q3				
Max. Pressure	Bar	16				
Max. Temperature	°C	90 Max				

Max. Permissible Error

From Q1 inclusive up to but excluding Q2 is $\pm 5\%$
 From Q2 inclusive up to and including Q4 is $\pm 2\%$



Pulse Output

Pulse output option available on all sizes.

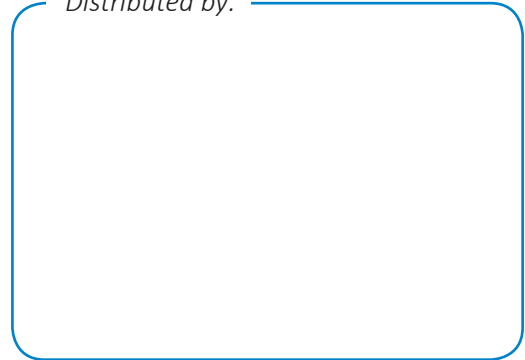
Pulse Output Capacity (litres/pulse):
 10 standard or 100 on request

Dial Options

Rotates 360°



Distributed by:



Meet the VuAqua family