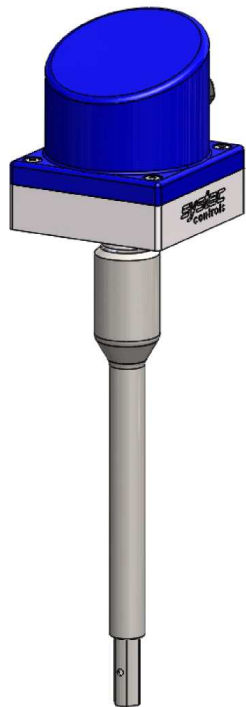
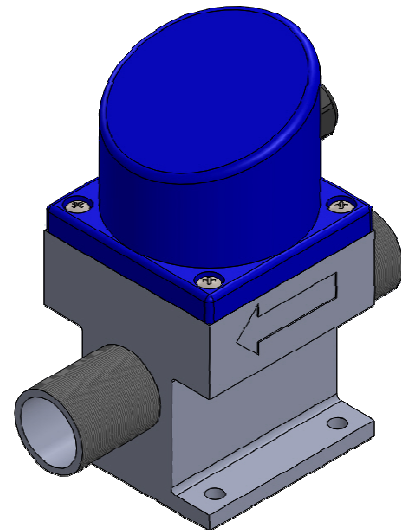


Data sheet

detaflowC



Pitot tube



Venturi

Specification

The principle of deltaflowC–pitot tube and deltaflowC–Venturi are based on the differential pressure measurement. Integrated temperature and pressure sensors make sure that there is a precise measurement also with changes of process data. Thus the deltaflowC compensates the effect on the flow related to changes in temperature and pressure.

Description	Specification
Principle of measurement	Differential pressure principle, compensation of absolute pressure and temperature
Measured variables	(turbulent) Volume- / mass flow, temperature, static pressure
Media	Air, gases (non explosive, non corrosive)

Accuracy *	Standard Type	High Accuracy Type (calibrated)
	4% of m.v. from 10% of flow range	4% of m.v. from 7% of flow range
		2% of m.v. from 15% of flow range

Variants	Pitot tube	Venturi
Process connection	15 mm weld in cut ring stud (C- / SS-steel)	G ³ / ₄ , G1, G1½ regarding DIN ISO 228-1
Probe and housing material	1.4571 stainless steel	Aluminium
Pipe sizes	DN20 to ∞	-
Maximal insertion	typical on stop, max 100 mm	-

Application data	Min	Typical	Max	Unit
Pressure LP	0 (Vacuum)	-	4,5	bar abs
Pressure HP	0 (Vacuum)	-	14	bar abs
Temperature of media	-80	-	250	°C
Temperature of environment	-40	-	120	°C
Range of measurement	1:25 (4 ranges); 1:7 (with one range)			
Burst pressure			16	bar abs

Electrical specifications

<i>Connection max. 1,5 mm²</i>	GND	Ground connection		
	24 VDC	Power supply		
	0 - 10 VDC	Output voltage signal		
	4 - 20 mA	Output current signal		
	Min	Typical	Max	Unit
Voltage	18	24	36	VDC
Current	22	40	55	mA
<i>Parameterized outputs</i>				
Temperature output	-50 (4 mA)	-	250 (20 mA)	°C
Absolute pressure output	0,5 (0V)	-	10 (10 VDC)	bar abs

* Just valid in temperature range 0 - 40°C. Application related accuracy can be calculated with the deltaflowC Designer software. Download available under www.systemec-controls.de

Characteristics, Dimensions

