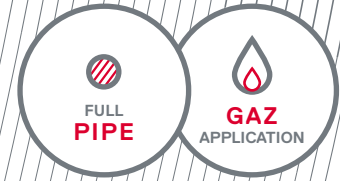


Uf 841

ULTRASONIC FIXED FLOW METER



MEDIA MEASURED
LIQUIDS
& GASES



MODELS
SINGLE PIPE
MULTI-PIPE



EXPLOSION-PROOF
ENCLOSURE
FOR USE IN EXPLOSIVE
ATMOSPHERES

CE 0081  II 2 G D
Ex d IIC T6 Gb
Ex tb IIC T85°C Db IP 66/67
INERIS 13 ATEX 0054 X
IECEX INE 13.0068 X
-20°C ≤ Tamb ≤ +50°C

HIGH PERFORMING ADAPTIVE

- > Graphic screen
- > Echo, gain and quality index displayed
- > Up to 4 speed chords
- > Optional pressure/temperature compensation

RELIABLE

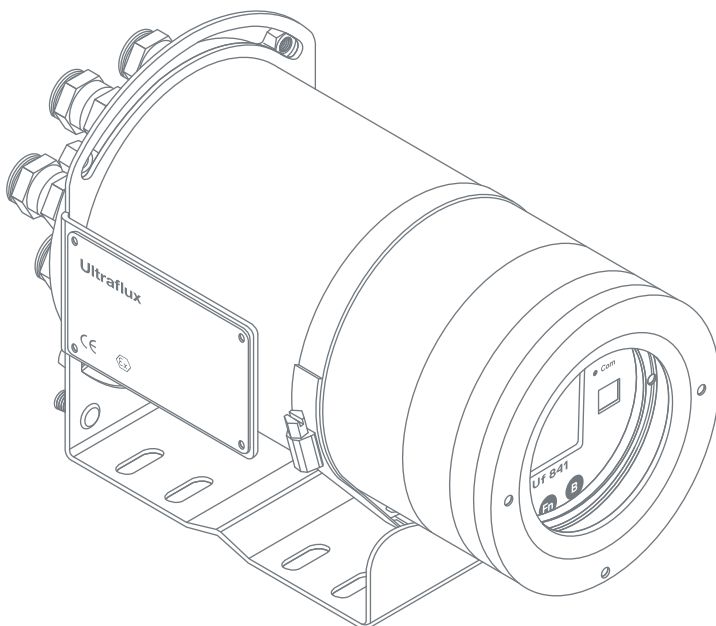
- > Multi-variable data logger
- > Mathematical functions generator
- > Optional input/output modules
- > Optional HART protocol

COMPATIBLE

- > All Ultraflux probes or probes already installed*

ROBUST

- > 316 Stainless Steel enclosure



TYPICAL APPLICATIONS

Hydrocarbons:

High pressure gas flow measurement, injected water flow measurement, crude oil flow measurement, condensate flow measurement, injection media flow measurement...

Offshore:

Gas flow measurement, monophasic liquids flow measurement, refined products and crude oil flow measurement...

* PLEASE ENQUIRE

Ultraflux



EXPERT IN FLOW METERS
SINCE 1974

Uf 841

MODEL	SINGLE PIPE	MULTI-PIPE
NATURE OF EQUIPMENT	Fixed - for use in explosive atmospheres	
MEASUREMENT ON PIPE UNDER LOAD	Yes	
FLOW MEASUREMENT ON OPEN CHANNEL	No	
INTERNAL DIAMETER OF PIPE	From 8mm to 9 900mm approximately (depending on wall thickness)	
EXTERNAL DIAMETER OF PIPE	From 10mm to 10 000mm*	
STANDARD MOUNTED INPUTS/OUTPUTS	—	
IN OPTION, SINGLE INPUT/OUTPUT MODULES	Up to 4 single modules (or 2 dual) to choose from: > 1 isolated, active analogue output: current 4-20mA, 0-20mA, 0-24mA · Module 1 (Single) > 2 static relay outputs usable as frequency outputs (up to 1kHz) · Module 2 (Single) > 2 isolated current inputs 4-20mA, 0-20mA, 0-24mA · Module 3 (Single) > 2 isolated, passive analogue 0-10V inputs: 0 to 15V voltage · Module 4 (Single) > 2 PT100/PT1000 temperature inputs - taking up the physical space of 2 modules · Module 5 (Dual) > 2 contact 5V inputs (pulse or state) · Module 6 (Single)	
USE	Flow measurement in a pipe with the ability to incorporate up to 4 speed chords	Flow measurement on 1 to 4 pipes with the ability to incorporate up to 4 speed chords
IN OPTION	> Pressure and temperature compensation > Interface detection > HART protocol > Stainless Steel gland connectors	
DISPLAY	> Graphical LCD screen (14 lines x 20 characters) > Backlit screen with time delay feature	
TROUBLESHOOTING HELP	Oscilloscope function (echo displayed) · Gain · Quality index	
SET-UP	> Quick and simple - by 7 - key touchpad with 2 dynamically allocated - or - via dedicated software supplied > Possible to build in an access code	
INFORMATION STORAGE	> 8MB data logger: time stamping - 1 to 30 variables - up to 536,886 lines > Logging frequency from 1 second to 24 hours	
OPERATING SYSTEM	Windows for transfer of content and operation of logger using common software (Excel, etc.)	
7 LANGUAGES	French · English · German · Portuguese · Spanish · Italian · Russian	
SERIAL LINK	> Serial link RS232 or RS485 to JBUS/MODBUS protocol · 115,200 Bauds > USB Port	
POWER SUPPLY	> DC power supply: 10-32V dc · Peak consumption < 12W · Average consumption < 6W > AC power supply: 110-240V ac · Peak consumption < 15W · Average consumption < 7,5W	
ENCLOSURE	> Robust and compact · 316 Stainless Steel · ISO M20 gland connectors > Weight: < 12kg · Dimensions: 267mm x 166mm x 166mm	
PROTECTION	IP 66 & IP 67	
TEMPERATURE RANGE	For use from - 20°C to + 50°C	

TECHNOLOGY	PERFORMANCES			
ULTRASONIC TRANSIT TIME > Continuous bidirectional measurement SIGNAL ANALYSIS > Digital Signal Process (real time Echo Shape Control, digital filtering and gain control on each firing)	ACCURACY > Up to 0,5% REPEATABILITY > Up to 0,1% LINEARITY > Up to 0,1%	TEMPORAL RESOLUTION > 0,1ns TIME BETWEEN EACH FLOW CALCULATION > 100ms UNITS OF MEASUREMENT > From litres per second to cubic metres per day	VOLUME METERING > From a millilitre up to 1,000 cubic metres, gallon... MULTI-LAYER PIPE > Up to three materials taken into consideration MEMORY CAPACITY > Up to 11 configurations	OTHER IMPORTANT INFORMATION > Laminar and turbulent transitions considered (calculation of the Reynolds number) - except for parallel chords > Freedom to mount probes: modes /, V, N and W

* For gas, please enquire

NON CONTRACTUAL DOCUMENT

