

# VHU32

## Ultrasonic Heat Meter



## Product Features

- Metrological measurement to EN1434 standard
- MID Approved
- Superior Ultrasonic Measurement principle
- Low energy consumption ~ 10 year battery life
- Display may be dismantled for easier viewing
- Measurement range between 5 – 90 °C
- 16 Bar Max working Pressure
- 1 1/4" BSP PN16 screwed connections
- M-Bus communications protocol (see options)

## Technical Specifications

### ultrasonic flow meter:

Has the ability to make measurements at low flow rates

### flow measuring range:

- Minimum flow rate (q): 0.06 m<sup>3</sup> / h
- Nominal flow (qp): 6 m<sup>3</sup> / h
- Maximum flow rate (qs): 12 m<sup>3</sup> / h

### temperature sensors (PT1000 matched pair):

- Starts to calculate  $\Delta t$  at minimum of 0.1 °C
- High speed, platinum resistance sensor pair used
- The measurement temperature range is between 5 and 90 °C

### metrological characteristics:

- Manufactured according to EN 1434 standard
- 2004/22 / EC + 2009/137 / EC, produced by MID
- Accuracy class 2 d (Class 2)
- Protection class IP54 type
- Maximum allowable pressure (MAP) of 16 bar

## Package Contents

### standard:

- VHU32 Heat Meter
- Gasket x2 Connections (Reducers to 1 1/4" BSP) x2
- Temperature sensor pocket
- User Manual and Installation instructions

### optional:

- Temperature sensor pockets of different lengths available
- Hybrid Heat Meter Model (Change-over Heating & cooling)

### communication and interfaces:

- Wired as standard with M-Bus interface & Pulse Output
- RF Wireless Communications uses the M-bus interface
- Low energy consumption up to 10 years battery life
- LCD with review of the last 12 months, consumer information may be displayed in the statistics menu

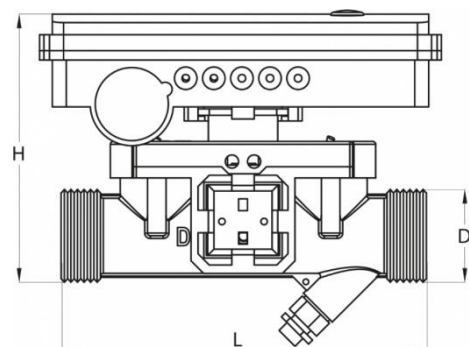
## Dimensions

Diameter (D)	32mm
Length (L) / height (H) / width (W)	180 / 100 / 83mm
Sensor M-bus cable	1.5 m
Weight	1100 g

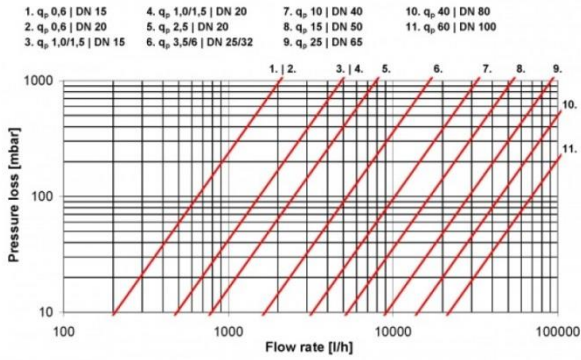
## Options

VHU32-P-MB	Pulse output & M-bus communication
VHU32- RF	Wireless RF

## Drawing



## Pressure Loss Curve



## Main Operator Menu & Statistics

